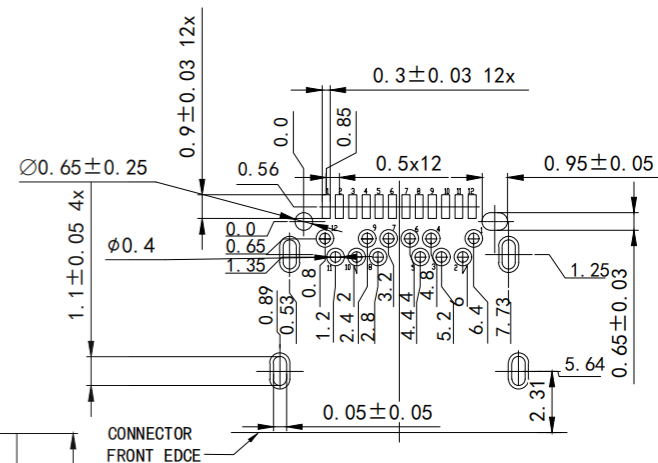
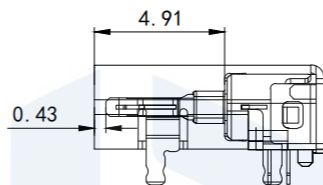
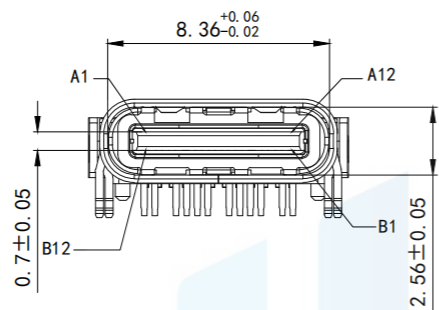
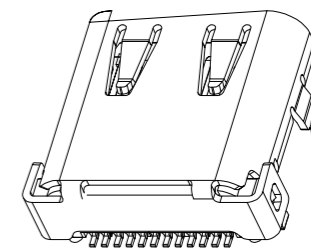
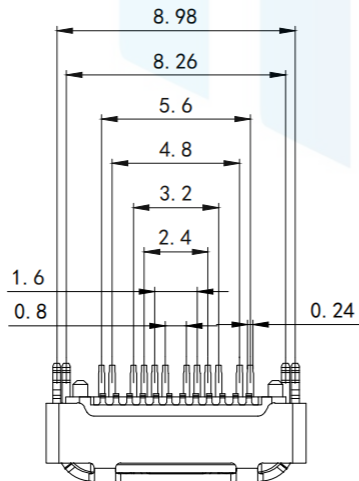
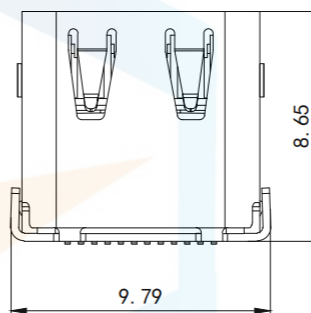
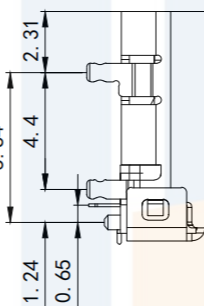
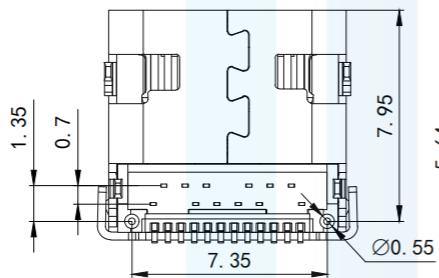


RoHS2.0
Compliant

Pin NO	Signal Name	Pin NO	Signal Name
A1	GND	B12	GND
A2	SSTXP1	B11	SSTXP1
A3	SSTXn1	B10	SSTXn1
A4	VBUS	B9	VBUS
A5	CC1	B8	SBU1
A6	Dp1	B7	Dp2
A7	Dn1	B6	Dn2
A8	SBU1	B5	CC2
A9	VBUS	B4	VBUS
A10	SSTXn2	B3	SSTXn2
A11	SSTXP2	B2	SSTXP2
A12	GND	B1	GND
SHELL	GND	SHELL	GND


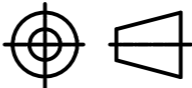


RECOMMENDED PCB LAYOUT (T:1MM)
TOLERANCE UNSPECIFIED ±0.05mm



Remark:

- Material:
 - Core: LCP+30%G.F UL94V-0
 - Terminal: high conductivity copper C7025, T=0.15mm; NICKEL BOTTOM 50U"MIN, Gold plated in the contact area (AU1u) and gold plated G/F in the solder area
 - Shell: SUS304, T=0.30mm; NICKEL PLATING ON THE SURFACE 50U"MIN
 - Clip: SUS301, T=0.15mm;
- Main features:
 - Rated current: 5A
 - Contact Impedance: 40m'E MAX (initial value) 50m2 MAX (after test)
 - INSULATION RESISTANCE: 100m'E MIN
 - Hipot test: 100V AC R.M.S
 - Overall Insertion Force: 5-20N Overall Insertion Force: 5-20N (after durability) Overall Extraction Force: 8-20N Overall Extraction Force: 6-20N (after durability)
 - Durability: 10000 times
 - High temperature resistance: SMT reflow soldering (peak 260 ° + 5 °), plastic can not have blistering, melting glue and other defects, discoloration, warping deformation within the tolerance range: 2.9 The product must be soldered test, and the tin area should reach more than 95%;
 - SALT SPRAY TEST: 48HMIN
 - Working temperature: -30° C~+85° C

TOLERANCE		 东莞市恒祺电子科技有限公司 Dongguan Hengqi Electronic Technology Co., Ltd
X. XXX	±0.05	
X. XX	±0.15	
X. X	±0.20	
X.	±0.30	
ANGLE	±5.0°	
https://www.hq-dz.com phone:15812872448		
TITLE: TYPE C 24P板上前插后贴8.65 短脚长1.15		PART NO:TYPE-C24P-BS086
PROTECTON 		DRAWING NO:8.65*8.36*2.56
DRAWN:		DATE: 18-10-08 UNIT: mm
CHECKED:		DATE: 18-10-08 SCALE: FULL
APPROVED:		DATE: 18-10-08 SIZE: A4